

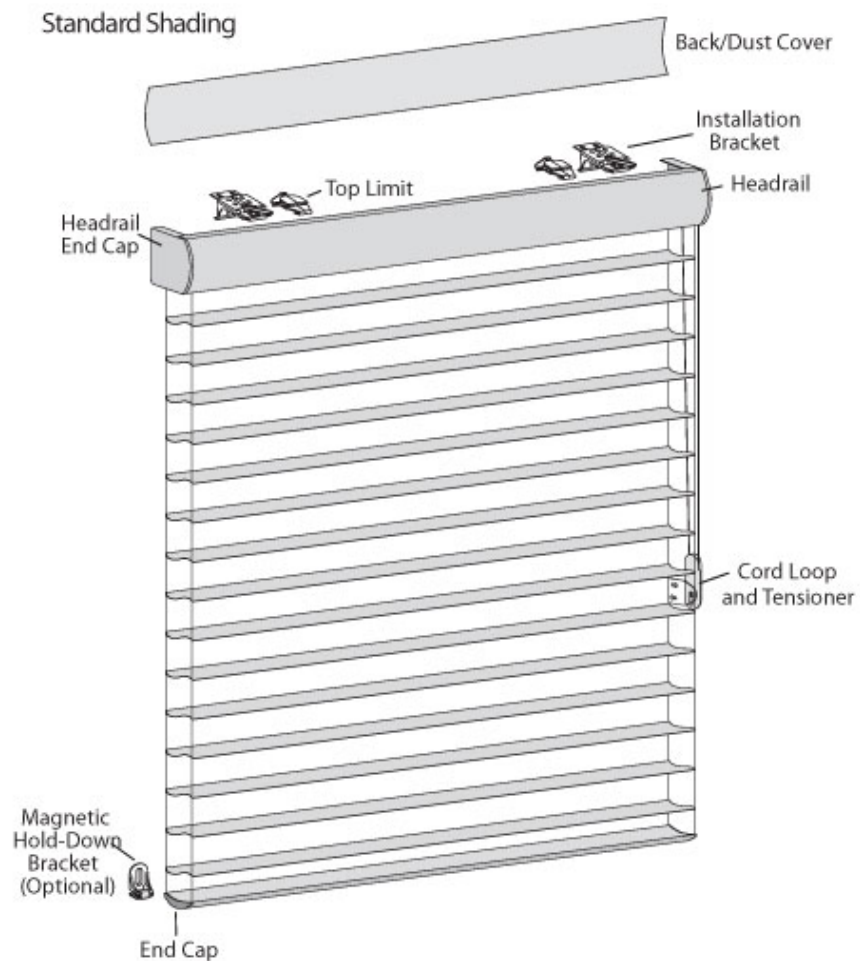
# Light Filtering Sheer Shade

## Installation Instructions

Congratulations on purchasing a Light Filtering Sheer Shade from YourBlinds. This blind is designed to reduce the glare of sunlight in your home while maintaining an excellent view of the outdoors from your windows.

To properly install your new window treatment, please carefully follow the instructions below.

### Product View



---

## Step 1: Gathering the Tools You'll Need to Complete the Installation Process

To get started on the installation process, take the time to gather the following tools and keep them handy while you work:

- Flat blade and Philips screwdrivers
- Tape measure & Pencil
- Power drill, 3/32" drill bit, and ¼" hex driver
- Pliers
- Level
- Heavy-duty Scissors

You will also need the following fasteners to properly secure the shade to your wall or window frame:

- **#6 hex head screws (included)**  
Two 1 ½" screws are provided for each installation bracket included with your shade.
- **Longer #6 hex head screws (not included)**  
If your shade requires spacer blocks, use longer #6 screws to ensure a secure attachment to the mounting surface.
- **Speed nuts and screws (included)**  
Your extension brackets come with screws and speed units for installation and mounting purposes.
- **Drywall anchors (not included)**  
If you're mounting your shade in drywall, use anchors designed to be mounted in that material.

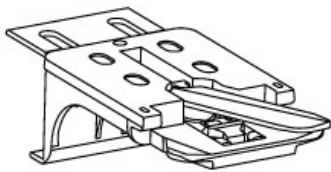


## Step 2: Gathering the Items Included In Your Mounting Kit

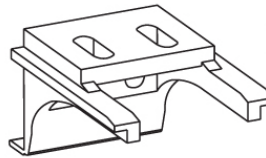
Your shade comes with a hardware mounting kit that includes multiple brackets depending on the type and size of your shade. Use the tables below to make sure you have the right number of brackets for your shade:

### Single Panel Shade

Width	Brackets Required
12" - 36"	2
36 1/8" - 79"	3
79 1/8" to 96"	4
96 1/8" - 120"	5



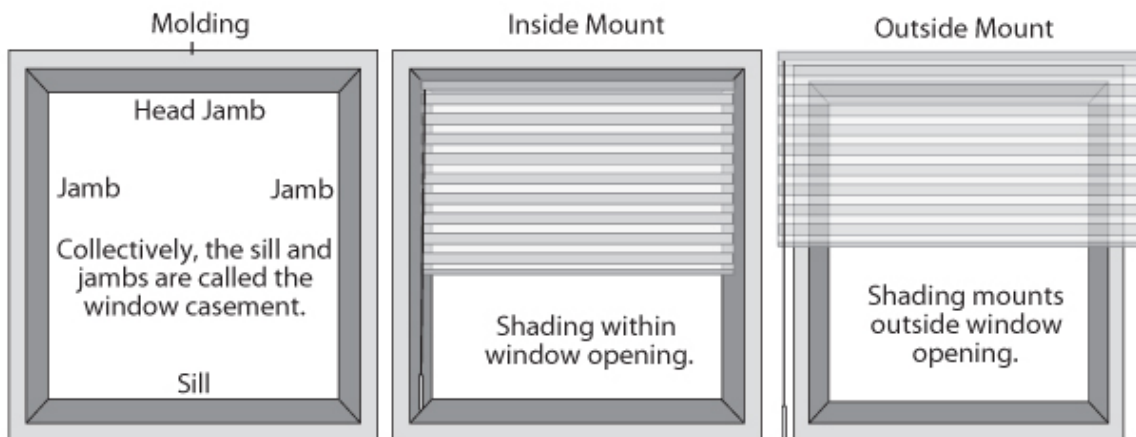
Installation Bracket



Dual Rotator Support Bracket

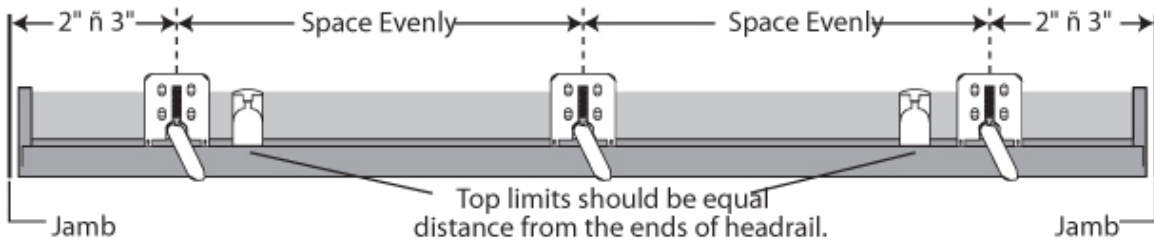
## Step 3: Understanding Your Mounting Type

Before you begin the installation process, it's important to understand how you'll mount your shade and the differences between the two types. View the picture below for a visual illustration:



## Step 4: Mounting Install Brackets for Inside Mount

An inside mount refers to installing a shade inside your window frame. To get started on this type of installation, mark 2"-3" from each jamb for bracket locations. Then, use pliers to break off the tabs at the top of each installation bracket. Make sure you save this tab, as you may need to use it as a shim to level the shade. The bottom tab can also be removed if it interferes with the bracket installation.



If your order requires more than two installation brackets, space the extra brackets evenly apart from the outer brackets. Mount the additional brackets into wood whenever possible.

Next, you must determine whether the front or back set of screw holes are best for your window frame.

Depth Chart for Bracket Placement		
Headrail Type	Minimum	Fully Recessed
Standard	1"	3 1/18"

**Note:** that the depth required for fully recessed mounting varies depending on the type of headrail and the vane size of your shade. Use the chart above to determine depth requirements.

Use a level to make sure the mounting surface is level, and shim the brackets as necessary using the top tab that you removed from the bracket. Then, use a 3/32" drill bit to drill holes for the mounting screws required to attach the brackets to the window frame.

**Note:** Always use drywall anchors when mounting the brackets on drywall. These anchors aren't provided with your hardware mounting kit.

With the holes pre-drilled, attach the installation brackets to the window using the provided screws.

**Note:** Never over-tighten the screws and make sure that the level can be moved easily from side to side. If it doesn't move easily, loosen the screws by 1/8 of a turn until it can move easily again.

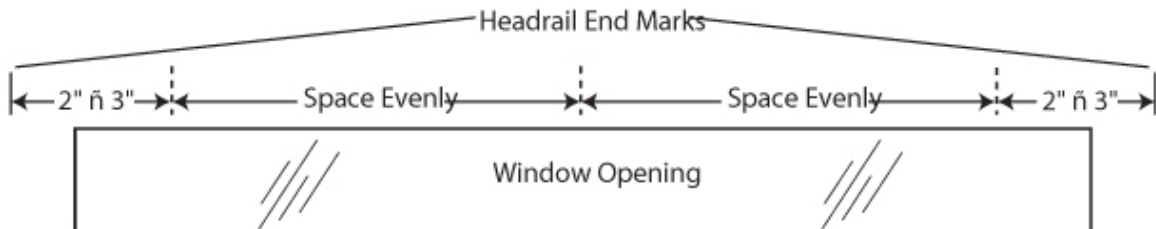
After you have attached the installation brackets to the window frame, make sure they are level and completely aligned with each other to ensure a perfect fit for the headrail.

---

## Step 5: Mounting Install Brackets for Outside Mount

First, hold the headrail centered over the window opening at the height where you wish to install it. Use a pencil to mark the locations of each end of the headrail.

You can also measure the width of the headrail and use that measurement to mark the endpoints if holding the headrail is too cumbersome.



Using a pencil, mark 2"-3" from each end of the headrail. Use pliers to break off the top and bottom tabs of each installation bracket prior to mounting them to your wall.

If your order shipped with more than two installation brackets, space the additional brackets evenly between the two end brackets and mark their location with a pencil. When mounting the additional brackets, mount them onto wall studs if possible for a more secure installation.

After you've made marks with your pencil, center the installation brackets on these marks and mark the exact locations of the screw holes.

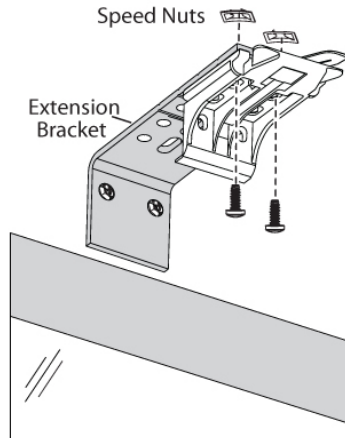
**Note:** Make sure the rear section of the blocks/brackets are flush against the mounting surface. Never mount brackets on curved molding.

Make sure that you have at least a 1 1/8" flat vertical height when mounting the installation brackets. Also verify that the tips of the installation brackets are aligned at the desired height and that all marks are level before you begin to attach them to the mounting surface.

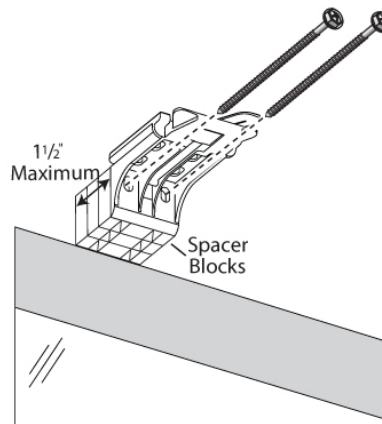
Use a 3/32" drill bit to pre-drill holes for the mounting screws.

**Note:** To properly secure your installation brackets, always use drywall anchors when mounting the brackets in a drywall surface. These components are sold separately.

With the holes pre-drilled, attach them to your mounting surface using the provided screws. Make sure that the front edges of all brackets are aligned and level with one another.



If your installation requires the use of spacer blocks, attach them and the installation brackets to your mounting surface using #6 screws that are long enough to complete a secure installation. Extra-long screws aren't provided with your order.



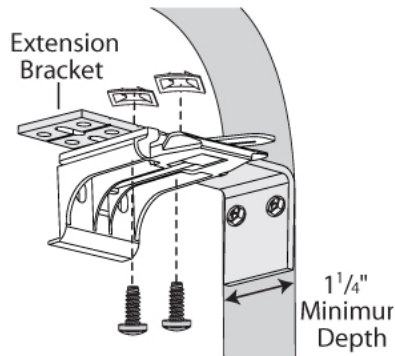
**Note:** The maximum spacer block size is 1 1/2".

If your installation requires an extension bracket, attach it to a flat mounting surface with screws long enough to provide a secure installation. Once the extension brackets are installed, attach the installation brackets using provided screws and speed nuts.

---

## Step 6: Mounting the Installation Brackets—End Mount

If you need to mount your shade on a window where conventional mounting methods won't work, you may need to use end mounting.



To end mount your new shade, mount the extension brackets on a surface that is at least 1 3/4" wide. If using an optional back cover, add at least 1/4" to the minimum depth.

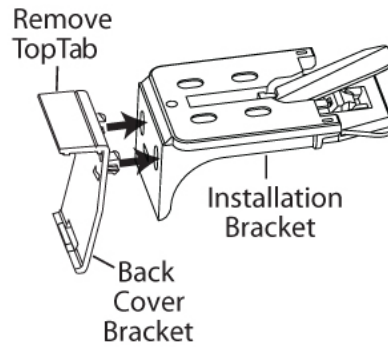
Attach the installation brackets to the extension brackets using hex head screws and speed nuts that are provided in your hardware mounting kit.

**Note:** When end mounting your shade into a surface other than a secure wall stud, always use a medium to heavy-duty wall anchor that is matched to the thickness of the mounting surface. Failure to do so may result in damage to your wall or your shade.

---

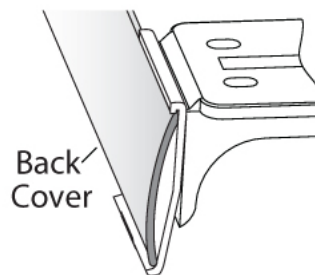
## Step 7: Attaching the Back Cover (Optional)

If you wish to install a back cover on your shade, use heavy-duty scissors to cut off the top tabs on the back cover brackets and both the top and bottom tabs on the installation brackets.



Next, snap the prongs on the back cover brackets into the holes on the back of the installation brackets.

Once the brackets are installed, install the cover on the back brackets as shown in the illustration. If the cover is too long, trim any excess material using scissors until you get the desired size.





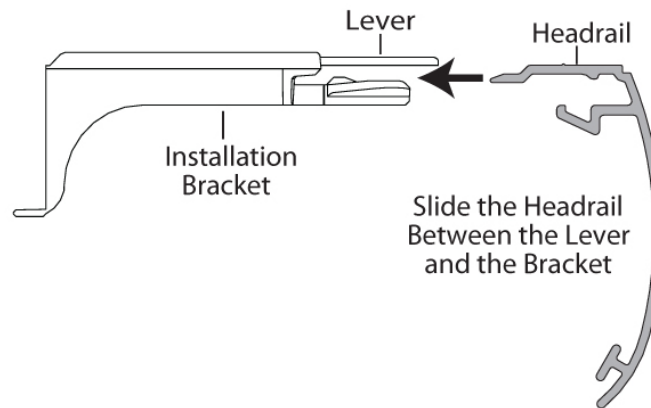
---

## Step 8: Installing the Shade

To install your shade on the installation brackets, peel back the protective covering from the top of the headrail—but leave the rest of the covering on the front of the headrail.

Hold the shade so that the front with colored fabric faces out away from the window.

Then, slide the headrail into the installation brackets until the edge of the headrail is between the lever and the bracket as shown in the illustration below.



With the headrail in place, push down on it over each bracket until it clicks into place and the lever snaps to the right side of the bracket.

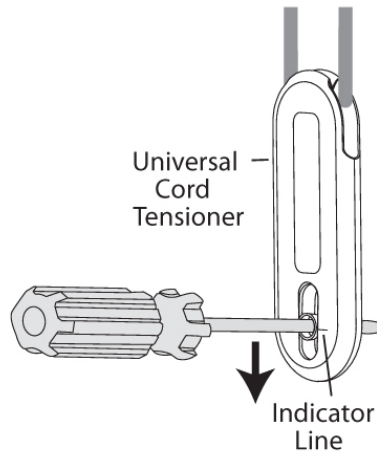
**Note:** Always pull gently on the headrail near each installation bracket to make sure the headrail is securely attached.

Once the headrail is completely installed and securely attached, remove the rest of the protecting covering.

---

## Step 9: Installing the Universal Cord Tensioner (UCT)

The universal cord tensioner is a safety feature that prevents small children from becoming tangled in the tension cord.



Before installing the UCT, always slide the cord tensioner to the bottom of the cord loop.

Insert a screwdriver or other small device through the screw hole at the bottom of the cord tensioner. Move the screw hole down to release the safety mechanism, then slide the cord tensioner down to the bottom of the cord loop.

**Warning: The cord tensioner must be properly secured to the wall or window frame to reduce children's access to the cord loop. Cord loops pose strangulation hazards to small children, as they can become wrapped around their necks.**

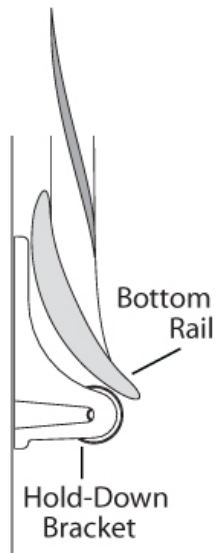
**Note:** Your shade won't operate properly until the cord tensioner is secured to the cord loop. All shades ordered from YourBlinds come with cord tensioner installation kits for safety reasons.

---

## Step 10: Attaching the Magnetic Hold-Down Brackets (Optional)

Magnetic hold-down brackets are optional components that hold your shade in place if it's installed on a door or on a window that is frequently opened.

To install the magnetic hold-down brackets, lower the shade completely with the vanes closed. Then, place the magnetic hold down-bracket onto the bottom rail just inside the end cap as shown in the illustration.



With the bracket held in place, open and close the vanes and adjust the bracket until you find its best position. Mark the screw location using the mounting options below. Note that the screw should be placed in the middle of the channel to allow for easy adjustment.

### Outside Mount

#### Outside Mount



Preferred



Alternate

---

## Inside Mount

### Inside Mount



Preferred



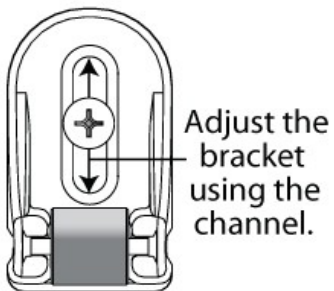
Alternate

Pre-drill holes for the magnetic hold-down bracket using a 3/32" drill bit.

**Note:** Always use drywall anchors if mounting the bracket in drywall. These anchors aren't provided with your order.

Using the screws provided with your hardware mounting kit, attach the hold-down brackets to the mounting surface into the pre-drilled holes.

Finally, adjust the bracket location using the channel to ensure its best operation.



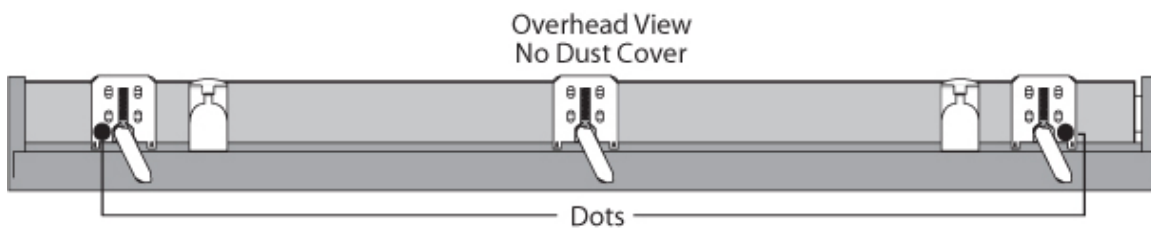
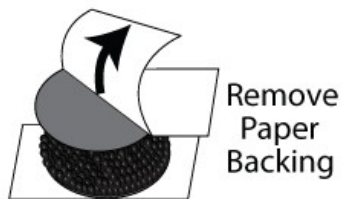
---

## Attaching the Dust Cover (Optional for Outside Mounts)

A dust cover is an optional component that protects the top of your shade's headrail from exposure to dust that can accumulate over time and interfere with the inner components of your shade.

To install your dust cover, cut it to the desired width. Then, remove the paper backing on one side of the hook and loop fasteners dots.

Apply the dots to the installation bracket on each end of the shade as shown below.



Next, remove the remaining paper backing from the adhesive dots. Place the dust cover over the top of the shade above the dots before pressing firmly down to secure it in place.



---

## Step 12: Operating Your New Shade

To properly operate your new shade and maintain its appearance and function for years to come, follow the instructions below.

### Lowering the Shade and Opening the Vanes

To lower your shade, pull the rear cord of the cord loop.

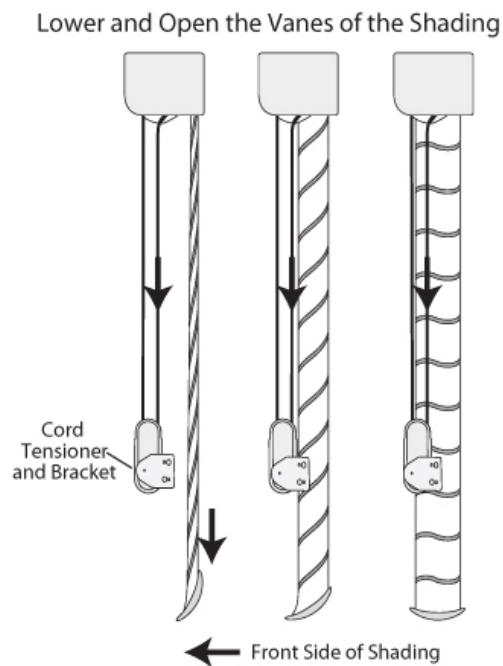
Once the shade is fully lowered, continue pulling the rear cord to tilt the bottom rail and open the vanes.

### Closing the Vanes and Raising the Shade

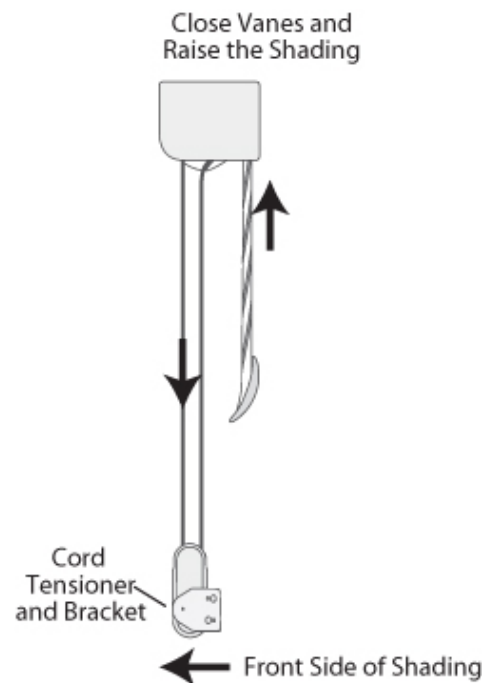
To raise your shade, pull the front cord of the cord loop. Continue pulling it to close the vanes.

If the cord tensioner begins to move up the cord, it may not have been properly secured to the wall or window. This step must be completed for your shade to operate properly.

#### Lower and Open the Vanes of the Shade

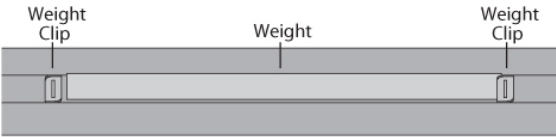
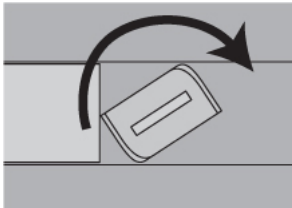
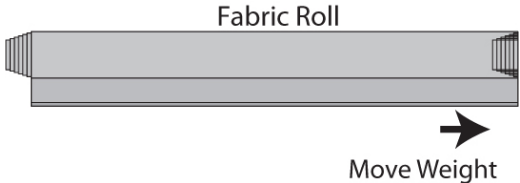


#### Close Vanes and Raise the Shade



## Troubleshooting Your New Shade

Problem	Solution
Vanes aren't aligned on side-by-side shades	<p>Note that due to small variations in manufacturing, vane alignment is only guaranteed within ¼" when shades are ordered at the time with the same dimensions and specifications.</p> <p>In addition, make sure that your windows are square and the same height.</p>
Shade is hard to raise or lower/won't raise or lower.	<p>If your shade is installed inside your window frame, make sure it is installed correctly and that there is clearance between the ends of the shade and the window frame itself.</p> <p>Make sure that the UCT is mounted correctly by pulling down on the spring to relieve tension and pulling the UCT to the bottom of the cord loop.</p> <p>Check that the installation brackets are level and shim if necessary.</p> <p>Verify that the fabric isn't caught in any components.</p>
The shade won't snap into place in the installation brackets.	<p>Make sure that the installation brackets are completely aligned with one another and level.</p> <p>Verify that the locking tab on the installation brackets slides over the headrail.</p>
The shade raises unevenly or the bottom rail is uneven when the shade is fully raised.	<p>Check that the window is completely square by measuring it diagonally.</p> <p>Make sure the installation brackets are completely level, shimming as necessary to achieve this.</p>
The shade raises or lowers unevenly, the fabric rubs against one end of the headrail,	<p>Release the weight clip by inserting a flat blade screwdriver into it and turning</p>

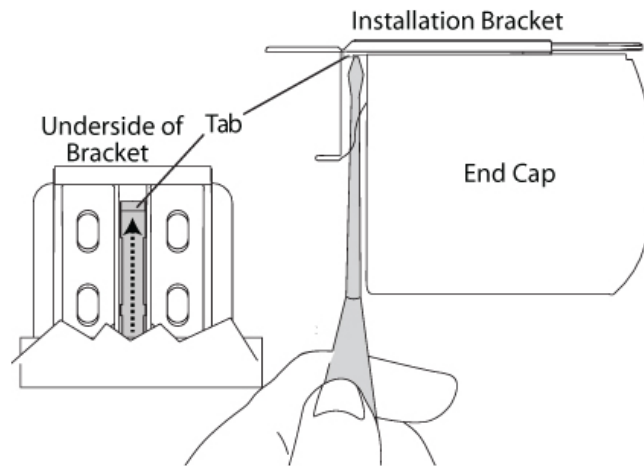
<p>or the bottom rail is uneven when fully raised.</p>	<p>clockwise.</p>  <p>Move the weight 1" at a time towards the side where the fabric bunches up.</p>  <p>Secure the weight clips back into position by turning them counterclockwise after making the full adjustment.</p>  <p>Test the shade against and make adjustments as necessary.</p>
<p>The UCT has moved up to the headrail.</p>	<p>Pull down on the spring to relieve tension and pull the UCT back to the bottom of the cord loop.</p>
<p>UCT grabs onto the cord loop during operation of the shade.</p>	<p>Make sure the UCT is mounted properly. If unsure, remove and reinstall to get a better fit.</p>



---

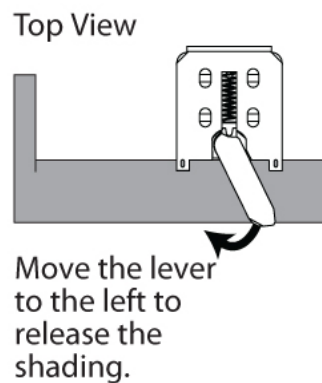
## Step 13: Removing Your Shade

If you need to remove your shade from the installation brackets at any point, move each level of the brackets to the left to release the headrail.



**Note:** Use a flat head screwdriver to move the levers, but be careful to not tear or damage the fabric.

Occasionally the bracket levers may become inaccessible or inoperable. If this occurs, lower the shade until you can see the undersides of the brackets. Then, use a small flat head screwdriver and push the tab on the bottom of each bracket between the screw holes away from the shade.



With the levers released, you can carefully remove the shade from the installation brackets.

---

## Step 14: Cleaning Your Shade

Your new shade requires regular cleaning to keep it looking and operating at its best. Note that your Light Filtering Sheer Shade is made from 100 percent polyester, making it durable and resilient. However, you should be careful to avoid wrinkling the fabric—especially at the point where the vanes connect to the facings.

- **Fabric-Covered Headrail**  
To clean the fabric-covered headrail, use a sponge and delicate cloth with cool distilled water and a mild soap.
- **Dusting**  
Your shade benefits from regular dusting. Use a regular feather duster to keep it clean.
- **Vacuuming**  
If you wish to vacuum your shade to remove dirt and dust, use a low suction handheld vacuum or a soft brush attachment.
- **Compressed Air**  
You can also use compressed air to gently blow away dirt and dust from your shade's fabric.
- **Spot-Cleaning**  
Avoid spot-cleaning any areas on your shade other than the fabric-covered headrail.
- **Ultrasonic Cleaning**  
Your shade can be cleaned using ultrasonic cleaning performed by a professional. Before using this service, note the following stipulations:
  - Only a mild detergent should be used  
The headrail should never be immersed in water or solution  
Dry the shade in a fully lowered position only
- **Injection/Extraction Method**  
Your shade can also be cleaned using a professional injection/extraction method.
  - Light dimming fabrics require a dry method of injection/extraction.  
The headrail should never be immersed in water or solution.
- **Electrostatic Cleaning Wipes**  
Never use electrostatic cleaning wipes to clean any part of your shade.

**Important note about your shade's fabric:** All textile products are subject to minor variations. That means differences in wrinkling, puckering, and bowing from one shade to another are normal and within the ranges of acceptable quality.

These variations are also generally not visible from the front or rear but may be visible from a side viewing angle.

---

Avoid exposing your shade to harsh environmental elements like salt air. Note that the continuous exposure to outdoor air when installed near open windows and doors will accelerate the deterioration process of the fabric.

## **Warning: Important Safety Information**

Cord loops pose serious strangulation hazards to young children. Cords can wrap around their necks and cut off their air supplies.

To reduce the risk of young children being injured by your shade, always:

- Keep cords out of reach of children
- Move cribs and furniture away from cords, as children can climb furniture to reach cords.

## **Cord Loop Safety and Universal Cord Tensioners**

Always install a universal cord tensor on the wall or window frame before you complete the installation process. This device prevents children from pulling cord loops around their necks and becoming strangled.

All orders from YourBlinds ship with cord tensioner installation kits. These kits are necessary for your shade to operate properly