

# Cordless Light filtering Top Down / Bottom Up Cellular Shade

## Installation Instructions

Email: [customerservice@yourblinds.com](mailto:customerservice@yourblinds.com)

Congratulations on purchasing Cordless Light filtering top down bottom up Cellular Shades from YourBlinds. To properly install these in your home, please follow these instructions.

### Step 1: Check the Contents of the Package

Before you begin the installation process, check your package to verify that you received the mounting hardware kit. It should include the following items:

Part	Quantity
Mounting Brackets	2 (for 18" to 36" wide shades) 3 (for 36" to 48" wide shades) 4 (for 48" to 72" wide shades) 5 (for 72" to 96" wide shades)
1 1/8" Screws	2 per bracket
Hold Down Brackets	2 per shade ( Hold Downs)
1/2" Screws	2 per bracket (Hold downs)
Handle for Bottom Rail	1 (cordless shades only)
Handle for Middle Rail	1 (TDBU cordless shades only)

**Note:** Package includes one additional screw for all types listed above.

### Step 2: Locate Your Tools

After you've verified that you have the items you need from your included hardware kit, take time to locate and make handy the following tools:

- **Screwdriver**
- **Tape measure**
- **Pencil**
- **Drill**
- **Drill bits**
- **Step ladder**

**Note:** When mounting into dry wall or plaster, use #6 plastic anchors (not included).  
When drilling screws, use a 3/32" drill bit and a 1/4" drill bit for wall anchors.

---

### Step 3: Aligning the Head Rail and Installing the Brackets

Your Cordless Light filtering top down bottom up Cellular Shades may be installed either inside your window frame or outside of it for maximum window coverage.

A mounting bracket should be positioned about 1" to 6" from each end of the head rail. If you're installing wider shades that require 3 or more mounting brackets, space them as evenly as possible between the two outermost brackets.

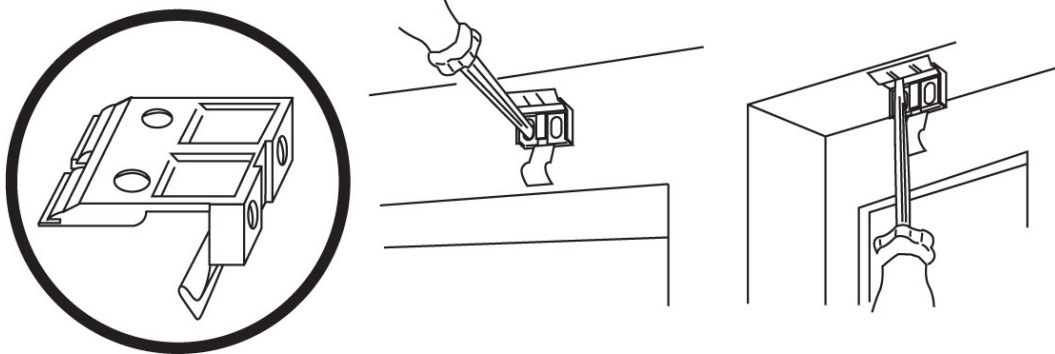
When positioning the brackets, do so in a manner that doesn't interfere with the cords or any moving parts inside the head rail.

### Step 4: Attaching the Brackets

Follow these instructions if your head rail and mounting brackets look the ones pictured below:

To attach the head rail into the mounting brackets, lift it so that the front edge of each bracket is directly under the inner front edge of the head rail.

Then, push the head rail up until the flexible tab at the bottom of each mounting bracket pops into place at the back of the head rail. After it has snapped into place, be sure to give the head rail a gentle pull to verify that it's properly secured.

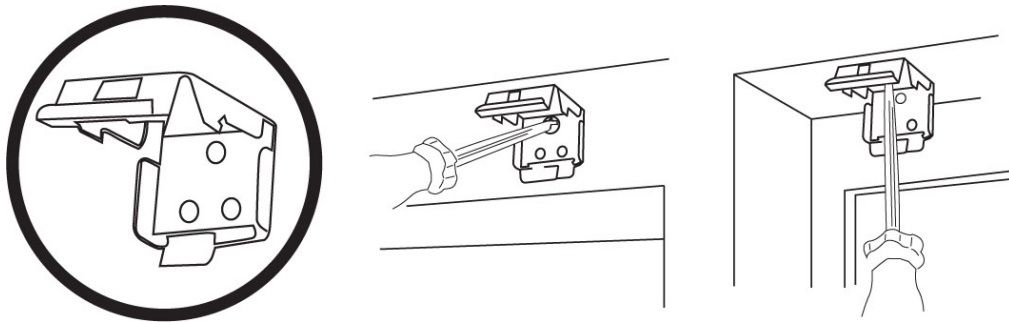


---

## Tips for Inside Mounting

To install your shades inside your window frames, clip the brackets into the head rail please position your brackets 2 to 6" in from each side, remember that large shades will have more brackets so please space them evenly on the head rail. Then, hold the shade in place in its desired location and, using a pencil, mark the area at the rear of each bracket where it touches the inside of the window frame.

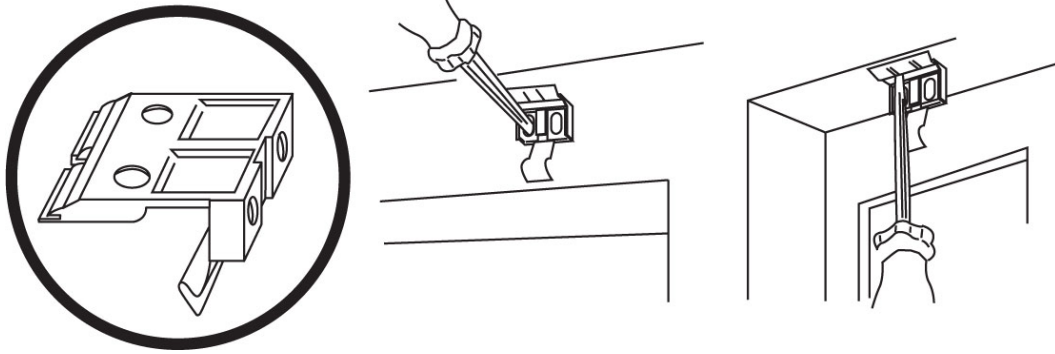
Next, remove the brackets from the head rail and align them with the marks you just created. Using a drill and 5/64" drill bit, pre-drill holes where the mounting brackets will be installed and screw them using 1 1/8" screws.



## Tips for Outside Mounting

If you're installing your shades outside of your window frames, clip the brackets into the head rail as described above. Then, hold the shade level at the height you want to install it and center it over your window. Using a pencil, mark the location of each bracket.

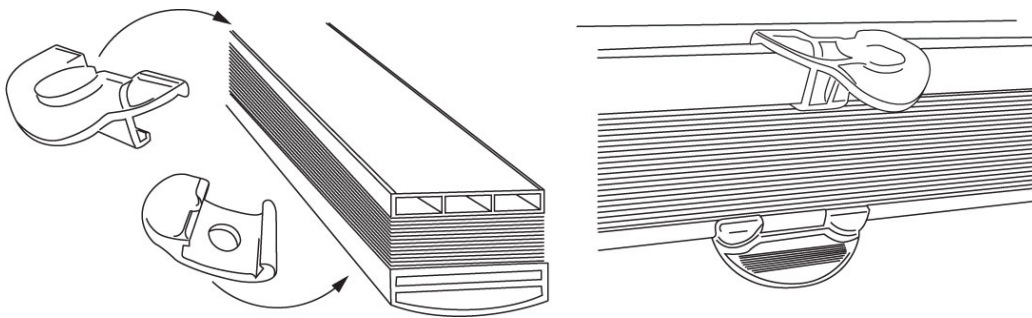
Next, remove the brackets from the head rail and position the tops of each one at the locations you marked and screw them into the wall or window molding using a 5/64" drill bit to first pre-drill the holes, then 1 1/8" screws to secure them in place.



## Step 5: Attaching the Handles

**Note:** This step applies only to cordless shades.

To attach the handles to your shades, follow the pictures in the diagram below. The handle for your shades is designed to minimize contact with the shade fabric. If your shades are top down bottom up, make sure you attach a second handle to the middle rail as indicated in the diagram.



## How to Operate Your New Shades from YourBlinds

Cellular shades come in a wide variety of options and configurations. To properly operate your cellular shades that you purchased from YourBlinds, follow these instructions:

- **Cordless Shade**  
When raising and lowering the cordless shade, always do so slowly to ensure that the pleated fabric stacks neatly to maintain proper use of the shade. To lower your cordless shade, simply pull straight down on the handle on the bottom rail. To raise the shade, place one hand under the bottom rail and slowly lift until you've reached the desired height.
- **Top-Down Bottom-Up Cordless Shade**

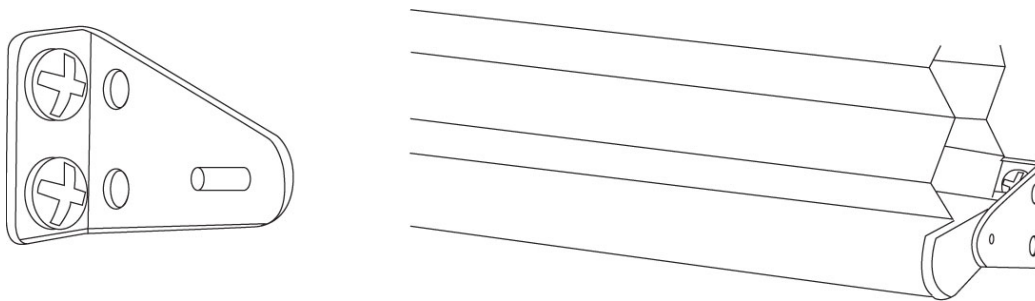
---

To raise and lower the shade from the bottom, simply follow the directions listed above. To raise and lower the shade from the top, grab the handle located on the middle rail and slowly pull straight up or down until you reach the desired height.

## Step 6: Installing the Hold-Down Brackets

Hold down brackets are optional accessories for your shades and designed to keep the shade in a permanently lowered position.

To install your hold down brackets, use a pencil to make marks at the outside ends of the bottom rail. Then, line the brackets up with the pencil marks and screw them into place using  $\frac{1}{2}$ " screws. Insert the pins protruding from the brackets into the designated holes located on both ends of the bottom rail (as seen in the picture below).



## Tips for Cleaning Your Cellular Shades

Over time, cellular shades can collect dirt and dust. To keep your shades looking new, use a damp sponge to wipe down the vinyl head rail and bottom rail on a regular basis. You can also use a feather duster or vacuum brush attachment to clean the shade fabric.

## Ordering Replacement Parts

To order replacement parts for your cellular shades from YourBlinds, **Please email us at [customerservice@yourblinds.com](mailto:customerservice@yourblinds.com)**

Be sure to give them the following information about your shades, including:

- The model number of your shades (find this on your packaging or on our website)
- A description of the product you purchased
- A description of the part you need (screws, mounting brackets, head rails, etc.)