

# Aluminum Cordless Blind

## Installation Instructions

Congratulations on purchasing an Aluminum Cordless Blind from YourBlinds. This window treatment will make an excellent addition to your home. To get started on the installation process, please follow the instructions below carefully.

### Step 1: Check Your Included Mounting Hardware Kit

Your Aluminum Cordless Blind from YourBlinds ships with a mounting hardware kit. Before you start installing the blind, check to make sure you have all of the items listed below:

Part	Quantity
Mounting bracket	2
Center support	0 (blinds up to 48" wide) 1 (blinds 49" to 72" wide)
1 1/8" screws	4 per bracket
Hold down bracket	2
1/2" screws	4 (for hold down brackets)
Valance	1
Valance slats	2
Valance clips	2 (blinds up to 36" wide) 3 (blinds 37" to 62" wide) 4 (blinds 63" to 72" wide)

**Note:** Each mounting hardware kit ships with one extra screw to replace any that may become misplaced.

### Step 2: Gather the Required Tools

After you've verified that you have the necessary items in your mounting kit, take time to gather the tools you'll need to install your new blind. The required tools for installation include:

- **Screwdriver**
- **Tape measure**
- **Pencil**
- **Drill**
- **Level**
- **Step stool**

**Note:** If mounting the blind into dry wall or plaster, use #6 plastic anchors (not included).

---

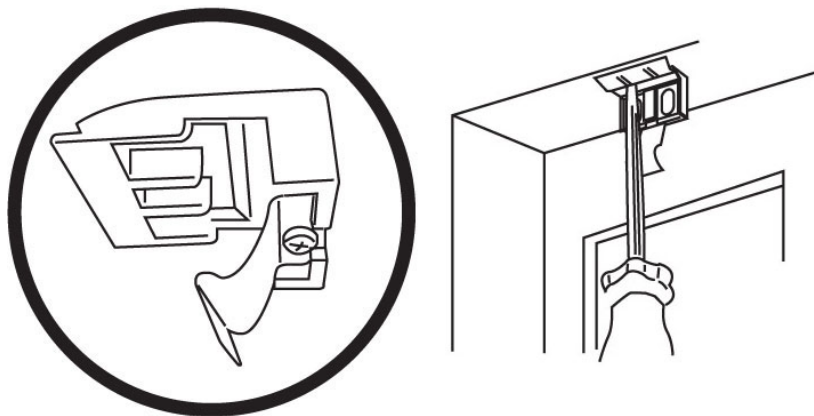
### Step 3: Marking and Installing Brackets

With all of your tools handy, it's time to begin the installation process.

#### Inside Mounting Instructions

If you're mounting your blind inside your window frame, place one bracket at each end of the head rail. Then, while holding the blind in place at the top of the window frame, make a mark with a pencil at the location where each mounting bracket contacts the frame.

Once the marks are made, remove the brackets from the head rail and realign them with the marks. Using a drill, predrill holes at the marked locations using a 5/64" drill bit and secure the brackets in those holes with 1 1/8" screws.



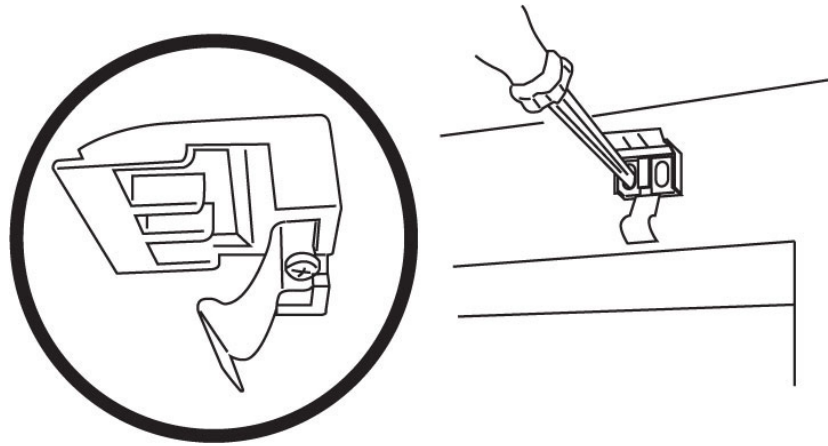
If your blind requires center support to extra width, screw it into the wall at the halfway point between the two end brackets. Be careful to make sure it won't interfere with the function of the lift or ladder cords during operation of the blind.

#### Outside Mounting Instructions

If you're mounting your blind outside of your window, place one bracket on each end of the head rail. Then, hold the blind centered and level at the height you wish to place it above the window. Next, mark the location of the brackets on the wall with a pencil.

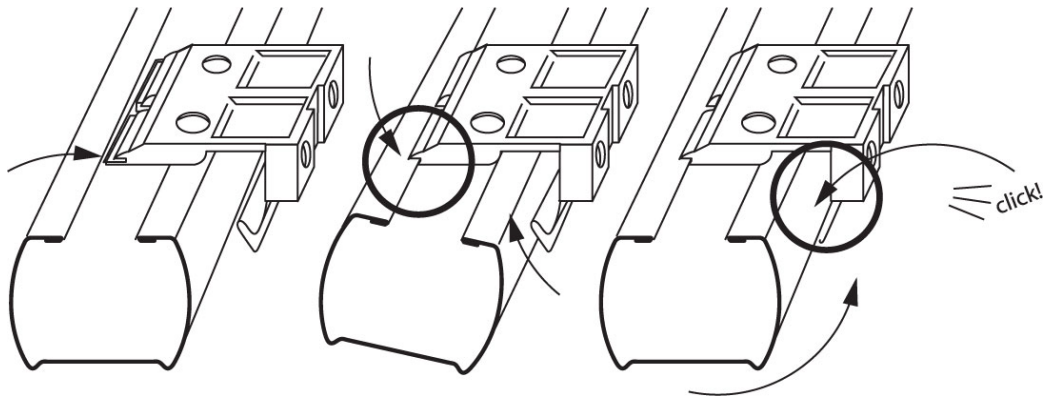
Now, remove the brackets from the head rail and hold each bracket up against the wall at the marked locations. Adhere each bracket to the wall or window molding using a 5/64" drill bit to predrill holes, followed up with 1 1/8" screws to secure the brackets.

If your blind is large enough to require a center support, make sure it is even with the top of the end brackets. Then, screw it into place the same as you did the other two at the midway point while also making sure it won't interfere with any moving parts of the blind, including the lift or ladder cords.



### Step 5: Installing the Head Rail

With the valance clips installed, place the head rail into position in the mounted brackets (and optional center support). To secure the head rail inside the brackets, close the hinged door at the end of each bracket.



### Step 6: Properly Operating the Blind

Always rotate the slats to the "open" horizontal position before raising or lowering. This assures smooth operation and increases the life of the blind.

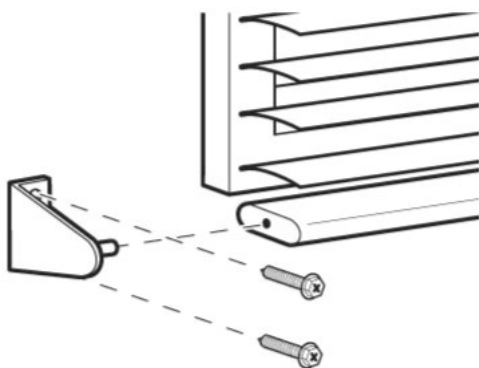
- To lower blind: Grip the Bottom-Rail/Handle and slowly pull straight down.
- To raise blind: Put one hand under the Bottom Rail (palm facing up) and lift with a slow steady tempo until the desired height is reached.
- To tilt the slats: Lower and raise the handle slowly. This is a learned technique, but takes only a few seconds to master.

---

## Step 7: Installing the Hold Down Brackets

Hold down brackets are optional items included to prevent your blind from freely moving if installed on a door or other surface that frequently moves. Keep in mind that these brackets should only be used if the blind will be kept in a permanently lowered position.

To install hold down brackets, fully lower the blind and make pencil marks at the outside ends of the bottom rail. The outside edge of each hold down bracket should line up perfectly with the pencil marks. Screw the brackets into place with the included 1/2" screws. Then, insert pins protruding from the brackets into the holes on both ends of the bottom rail (see the picture below).



## Tips for Cleaning Your Blinds

For optimal function and appearance, your blind requires frequent cleaning.

- **Dusting**  
To dust your blind, use a soft cloth, feather duster, dust brush designed for blinds or a soft brush attachment for a vacuum. Dust regularly to prevent excess buildup.
- **Washing**  
To remove dirt, stains, and other unsightly messes from your blind, dip a cloth, sponge, or soft brush into water mixed with a mild soap or detergent. Then, place towels underneath the blind to catch any dripping water and begin cleaning the blind in sections.

If your blind is small enough, you can detach it from your window and clean it in the bathtub or use a hose outside to gently wash off any dust or dirt. To avoid streak marks, towel dry when finished.

For exceptionally tough stains that won't come out with normal cleaning methods, consider consulting a professional cleaning service that specializes in blinds.