

Blackout Fabric Roller Shades

Installation Instructions

Congratulations on purchasing a Blackout Fabric Roller Shades from YourBlinds.

This shade will liven up any room while also cutting down on harsh sunlight and UV rays. To properly install your new window treatment, please follow the instructions below.

Step 1: Gathering the tools you'll need.

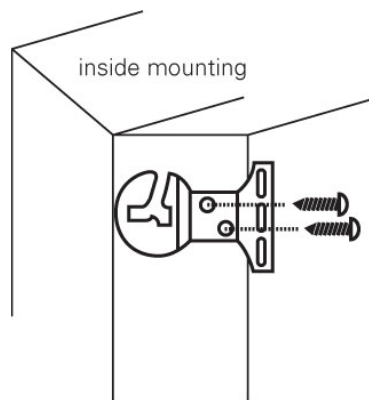
Before you get started on the installation process, take some time to gather any tools you'll need to measure, level, and secure the mounting brackets to the window frame or wall, including:

- **Screwdriver**
- **Tape measure**
- **Pencil**
- **Drill**
- **Level**
- **Step ladder**

Step 2: Installing Your Shade Inside Your Window Frame

Note: When installing and mounting your roller shade inside your window frame, make sure the shade itself doesn't come into contact with the top of the window frame or any other object or obstruction when raised or lowered.

When installing the brackets inside the window frame, make sure they are evenly aligned and level and that the shade is able to move freely between the brackets once installed.



- **Standard Roll Shades**

To install a standard roll shade, attach the slotted bracket to the left side of the window frame and the bracket with the round hole to the right side of the window frame.

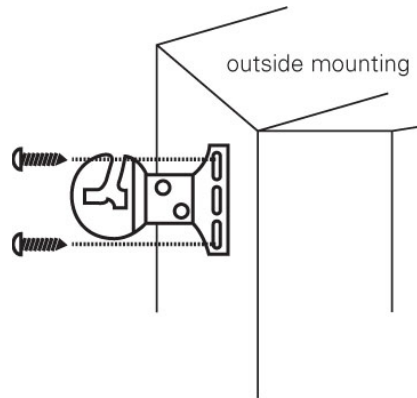
- **Reverse Roll Shades**

To install a reverse roll shade, install the slotted bracket on the right side of the window frame and the bracket with the round hole on the left side of the window frame.

Step 3: Installing Your Shade Outside of Your Window Frame

Note: For outside installations, make sure the roller shade doesn't come into contact with the top of the window frame or any other obstruction when the shade is being raised or lowered.

When installing the shade outside of the window frame, align, level, and space the mounting brackets an equal distance apart and centered over the window and secure them to the wall. After you've attached the shade to the mounting brackets, make sure it allows at least 1/8" of additional space between the brackets so that mechanism is able to move freely without obstructions.



Standard Roll Shades (RR641*)

To install a standard roll shade outside your window frame, attach the mounting brackets to the wall or window frame with the locking brackets facing left. Note that these mounting brackets can also be used for ceiling installation by rotating the foot of the brackets to the top.

Reverse Roll Shades (RR641*)

To install a reverse roll shade outside your window frame, attach the mounting brackets to the wall or window frame with the locking bracket facing right. Note that these mounting brackets can also be used for ceiling installation by rotating the foot of the brackets to the top.

***Note** that shades ordered from YourBlinds with large diameter rolls will receive an extended version of this bracket (RR642).